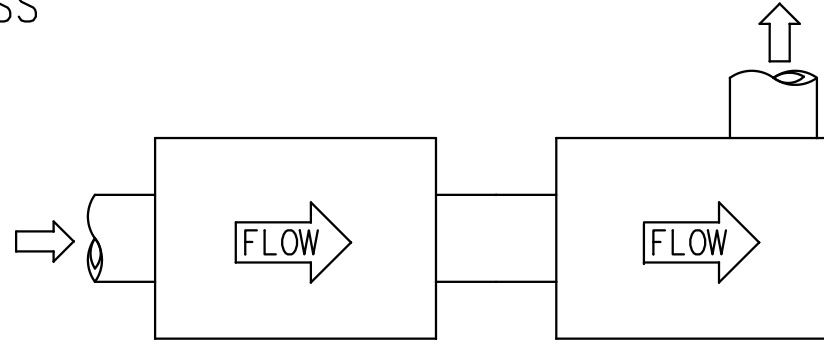
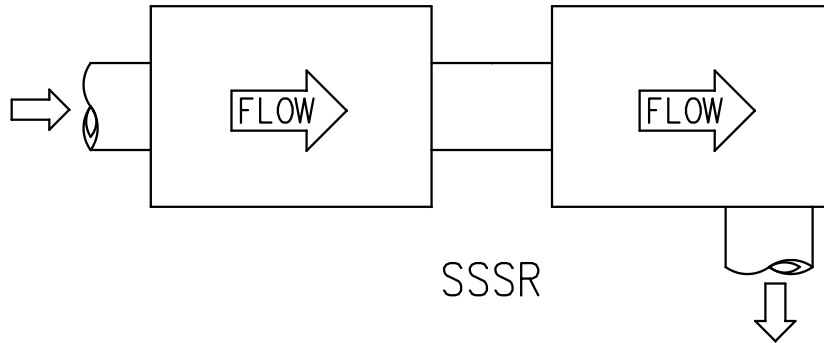


SSSS



SSSL



SSSR

CRYSTALSTREAM WATER QUALITY VAULT
 MODEL "1246", "1856", "2056", "2466"

NOTE: THE ORIENTATION NOMENCLATURE FOR THE PIPES IS BASED ON ORIENTING INITIALLY IN THE DIRECTION OF FLOW FOR THE UNIT AND THEN NAMING THE DIRECTION THE FLOW ENTERS/EXITS THE UNIT. THE OPTIONS ARE LEFT, STRAIGHT OR RIGHT. THE FIRST LETTER INDICATES THE INLET PIPE (OR GRATE) AND THE SECOND LETTER INDICATES THE OUTLET PIPE.

Protected by U.S. Patent No's: 6,797,161; 6,936,163; 6,939,461; 6,951,607; 6,994,783; 7,011,743, 7,037,436

SPECIFICATIONS

1. TOTAL FLOW CAPACITY SHALL BE 6.0 CFS.
2. WATER QUALITY FLOW OF 1.20 CFS IS "NORMAL" DESIGN VALUE.
3. SPILL PROTECTION CAPACITY IS NORMALLY 300 GALLONS BEFORE OVERFLOW.
4. ANY CHANGES OR SUBSTITUTIONS MUST BE APPROVED BY THE ENGINEER AND THE REVIEWING AUTHORITY.

JOB NAME:

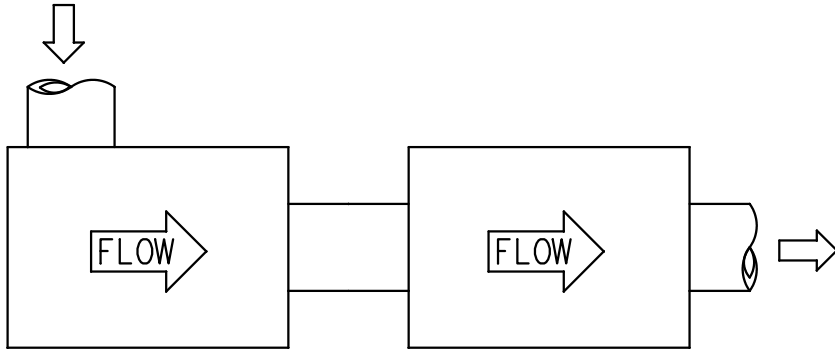
Water Quality Unit
 Orientation
 Device: Double Box Units
 SHEET 1 of 15

DRAWING LAST UPDATED: 07/06/06

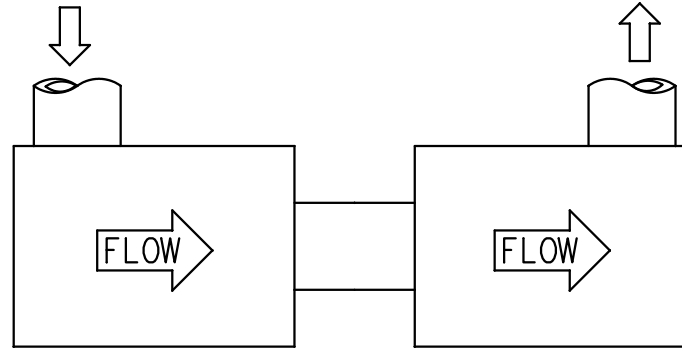


CrystalStream Technologies

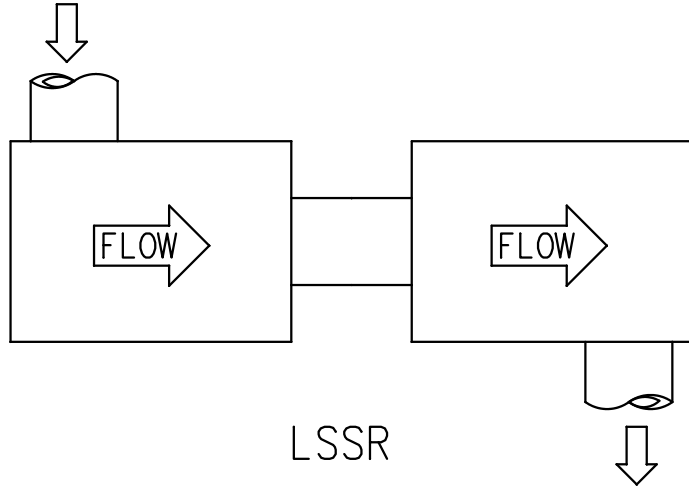
THIS DRAWING IS COPYRIGHTED AND IS THE SOLE PROPERTY OF PRACTICAL BEST MANAGEMENT, INC. IT IS PROVIDED FOR THE DESIGN CONVENIENCE OF PROFESSIONAL ENGINEERS SPECIFYING CRYSTALSTREAM WATER QUALITY UNITS.



LSSS



LSSL



LSSR

CRYSTALSTREAM WATER QUALITY VAULT
MODEL "1246", "1856", "2056", "2466"

NOTE: THE ORIENTATION NOMENCLATURE FOR THE PIPES IS BASED ON ORIENTING INITIALLY IN THE DIRECTION OF FLOW FOR THE UNIT AND THEN NAMING THE DIRECTION THE FLOW ENTERS/EXITS THE UNIT. THE OPTIONS ARE LEFT, STRAIGHT OR RIGHT. THE FIRST LETTER INDICATES THE INLET PIPE (OR GRATE) AND THE SECOND LETTER INDICATES THE OUTLET PIPE.

Protected by U.S. Patent No's: 6,797,161; 6,936,163; 6,939,461; 6,951,607; 6,994,783; 7,011,743, 7,037,436

SPECIFICATIONS

1. TOTAL FLOW CAPACITY SHALL BE 6.0 CFS.
2. WATER QUALITY FLOW OF 1.20 CFS IS "NORMAL" DESIGN VALUE.
3. SPILL PROTECTION CAPACITY IS NORMALLY 300 GALLONS BEFORE OVERFLOW.
4. ANY CHANGES OR SUBSTITUTIONS MUST BE APPROVED BY THE ENGINEER AND THE REVIEWING AUTHORITY.

JOB NAME:

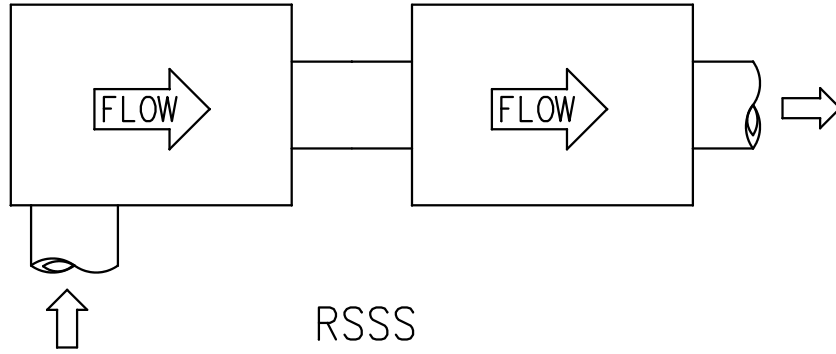
Water Quality Unit
Orientation
Device: Double Box Units
SHEET 2 of 15

DRAWING LAST UPDATED: 07/06/06

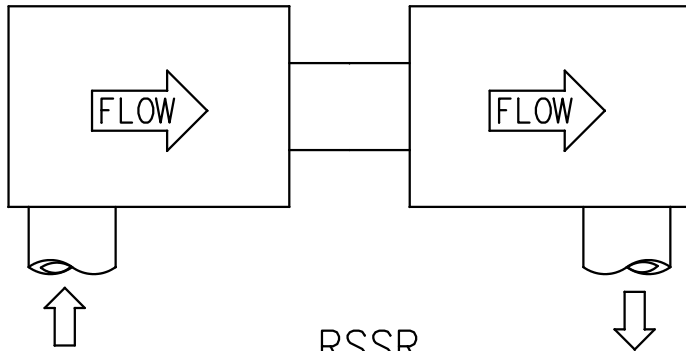


CrystalStream Technologies

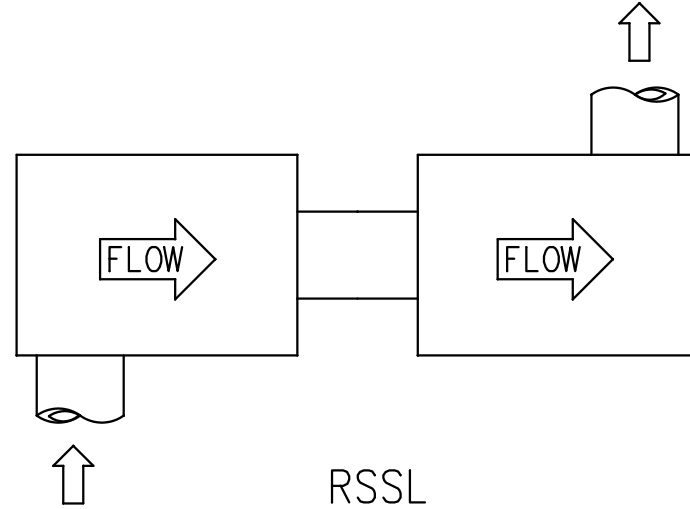
THIS DRAWING IS COPYRIGHTED AND IS THE SOLE PROPERTY OF PRACTICAL BEST MANAGEMENT, INC. IT IS PROVIDED FOR THE DESIGN CONVENIENCE OF PROFESSIONAL ENGINEERS SPECIFYING CRYSTALSTREAM WATER QUALITY UNITS.



RSSS



RSSR



RSSL

CRYSTALSTREAM WATER QUALITY VAULT
 MODEL "1246", "1856", "2056", "2466"

NOTE: THE ORIENTATION NOMENCLATURE FOR THE PIPES IS BASED ON ORIENTING INITIALLY IN THE DIRECTION OF FLOW FOR THE UNIT AND THEN NAMING THE DIRECTION THE FLOW ENTERS/EXITS THE UNIT. THE OPTIONS ARE LEFT, STRAIGHT OR RIGHT. THE FIRST LETTER INDICATES THE INLET PIPE (OR GRATE) AND THE SECOND LETTER INDICATES THE OUTLET PIPE.

Protected by U.S. Patent No's: 6,797,161; 6,936,163; 6,939,461; 6,951,607; 6,994,783; 7,011,743, 7,037,436

SPECIFICATIONS

1. TOTAL FLOW CAPACITY SHALL BE 6.0 CFS.
2. WATER QUALITY FLOW OF 1.20 CFS IS "NORMAL" DESIGN VALUE.
3. SPILL PROTECTION CAPACITY IS NORMALLY 300 GALLONS BEFORE OVERFLOW.
4. ANY CHANGES OR SUBSTITUTIONS MUST BE APPROVED BY THE ENGINEER AND THE REVIEWING AUTHORITY.

JOB NAME:

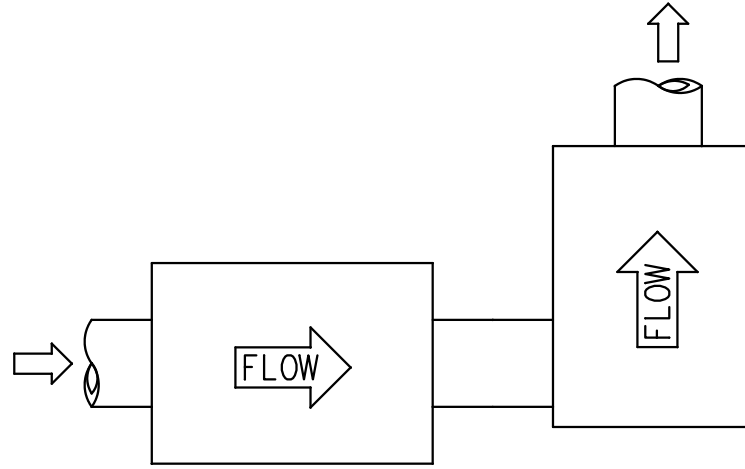
Water Quality Unit
 Orientation
 Device: Double Box Units
 SHEET 3 of 15

DRAWING LAST UPDATED: 07/06/06

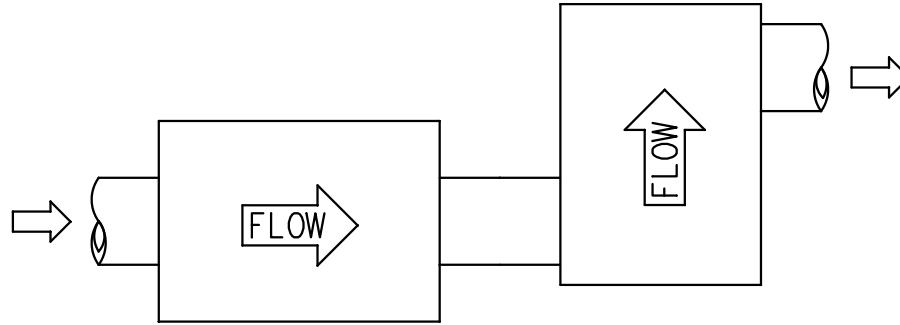


CrystalStream Technologies

THIS DRAWING IS COPYRIGHTED AND IS THE SOLE PROPERTY OF PRACTICAL BEST MANAGEMENT INC. IT IS PROVIDED FOR THE DESIGN CONVENIENCE OF PROFESSIONAL ENGINEERS SPECIFYING CRYSTALSTREAM WATER QUALITY UNITS.



SSLS



SSLR

CRYSTALSTREAM WATER QUALITY VAULT
 MODEL "1246", "1856", "2056", "2466"

NOTE: THE ORIENTATION NOMENCLATURE FOR THE PIPES IS BASED ON ORIENTING INITIALLY IN THE DIRECTION OF FLOW FOR THE UNIT AND THEN NAMING THE DIRECTION THE FLOW ENTERS/EXITS THE UNIT. THE OPTIONS ARE LEFT, STRAIGHT OR RIGHT. THE FIRST LETTER INDICATES THE INLET PIPE (OR GRATE) AND THE SECOND LETTER INDICATES THE OUTLET PIPE.

Protected by U.S. Patent No's: 6,797,161; 6,936,163; 6,939,461; 6,951,607; 6,994,783; 7,011,743, 7,037,436

SPECIFICATIONS

1. TOTAL FLOW CAPACITY SHALL BE 6.0 CFS.
2. WATER QUALITY FLOW OF 1.20 CFS IS "NORMAL" DESIGN VALUE.
3. SPILL PROTECTION CAPACITY IS NORMALLY 300 GALLONS BEFORE OVERFLOW.
4. ANY CHANGES OR SUBSTITUTIONS MUST BE APPROVED BY THE ENGINEER AND THE REVIEWING AUTHORITY.

JOB NAME:

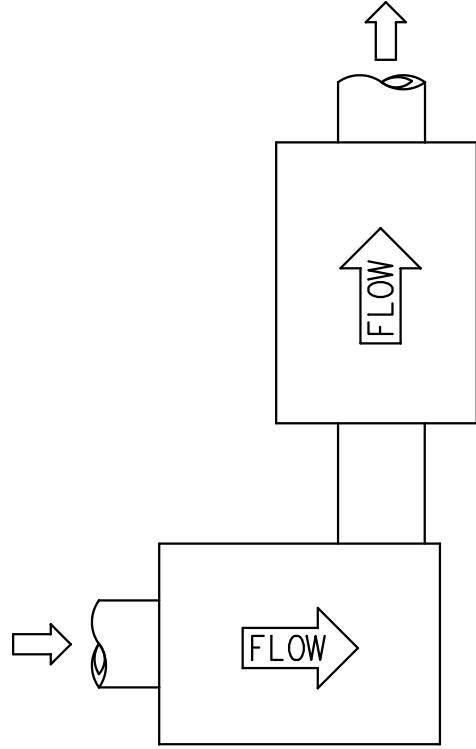
Water Quality Unit
 Orientation
 Device: Double Box Units
 SHEET 4 of 15

DRAWING LAST UPDATED: 07/06/06

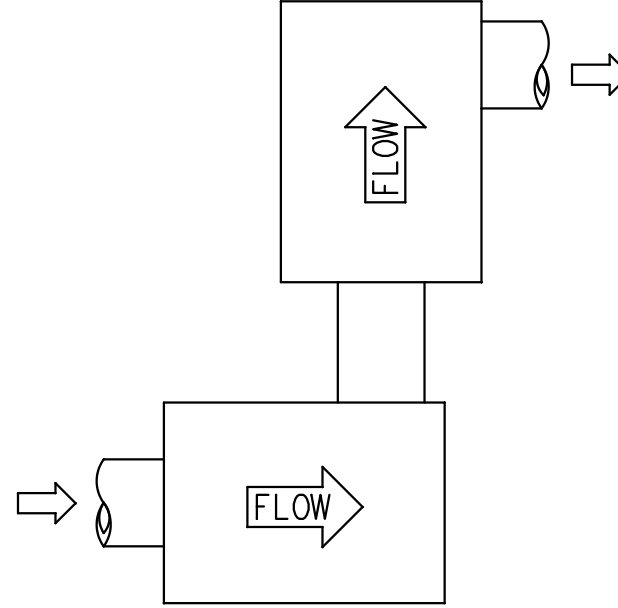


CrystalStream Technologies

THIS DRAWING IS COPYRIGHTED AND IS THE SOLE PROPERTY OF PRACTICAL BEST MANAGEMENT, INC. IT IS PROVIDED FOR THE DESIGN CONVENIENCE OF PROFESSIONAL ENGINEERS SPECIFYING CRYSTALSTREAM WATER QUALITY UNITS.



SLSS



SLSR

CRYSTALSTREAM WATER QUALITY VAULT
 MODEL "1246", "1856", "2056", "2466"

NOTE: THE ORIENTATION NOMENCLATURE FOR THE PIPES IS BASED ON ORIENTING INITIALLY IN THE DIRECTION OF FLOW FOR THE UNIT AND THEN NAMING THE DIRECTION THE FLOW ENTERS/EXITS THE UNIT. THE OPTIONS ARE LEFT, STRAIGHT OR RIGHT. THE FIRST LETTER INDICATES THE INLET PIPE (OR GRATE) AND THE SECOND LETTER INDICATES THE OUTLET PIPE.

Protected by U.S. Patent No's: 6,797,161; 6,936,163; 6,939,461; 6,951,607; 6,994,783; 7,011,743, 7,037,436

SPECIFICATIONS

1. TOTAL FLOW CAPACITY SHALL BE 6.0 CFS.
2. WATER QUALITY FLOW OF 1.20 CFS IS "NORMAL" DESIGN VOLUME.
3. SPILL PROTECTION CAPACITY IS NORMALLY 300 GALLONS BEFORE OVERFLOW.
4. ANY CHANGES OR SUBSTITUTIONS MUST BE APPROVED BY THE ENGINEER AND THE REVIEWING AUTHORITY.

JOB NAME:

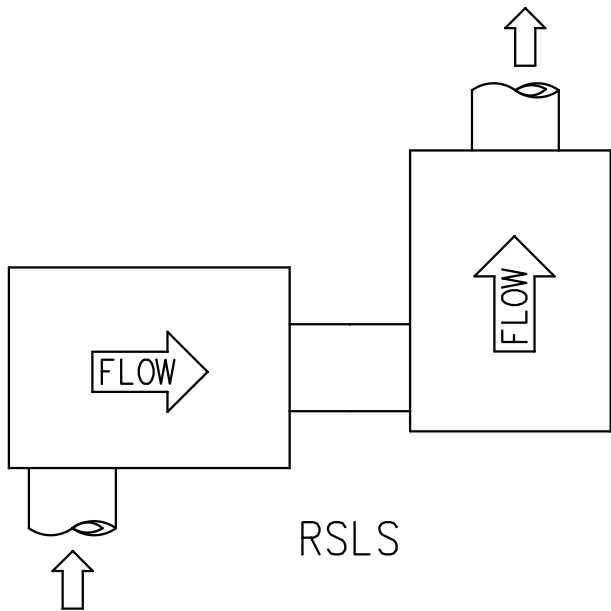
Water Quality Unit
 Orientation
 Device: Double Box Units
 SHEET 5 of 15

DRAWING LAST UPDATED: 07/06/06

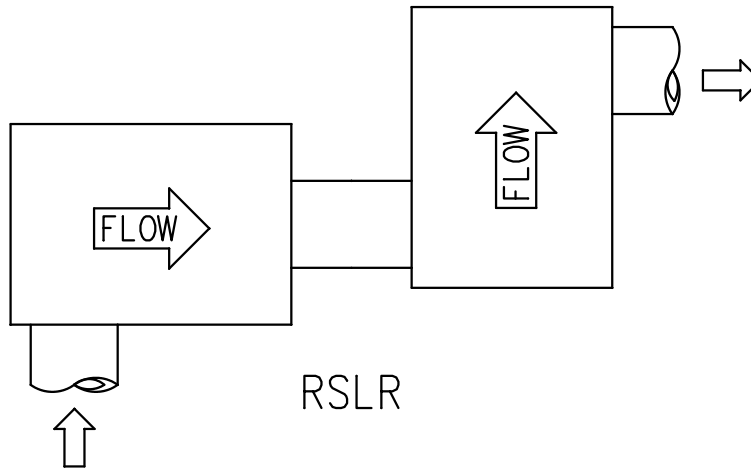


CrystalStream Technologies

THIS DRAWING IS COPYRIGHTED AND IS THE SOLE PROPERTY OF PRACTICAL BEST MANAGEMENT INC. IT IS PROVIDED FOR THE DESIGN CONVENIENCE OF PROFESSIONAL ENGINEERS SPECIFYING CRYSTALSTREAM WATER QUALITY UNITS.



RSLS



RSLR

CRYSTALSTREAM WATER QUALITY VAULT
 MODEL "1246", "1856", "2056", "2466"

NOTE: THE ORIENTATION NOMENCLATURE FOR THE PIPES IS BASED ON ORIENTING INITIALLY IN THE DIRECTION OF FLOW FOR THE UNIT AND THEN NAMING THE DIRECTION THE FLOW ENTERS/EXITS THE UNIT. THE OPTIONS ARE LEFT, STRAIGHT OR RIGHT. THE FIRST LETTER INDICATES THE INLET PIPE (OR GRATE) AND THE SECOND LETTER INDICATES THE OUTLET PIPE.

Protected by U.S. Patent No's: 6,797,161; 6,936,163; 6,939,461; 6,951,607; 6,994,783; 7,011,743, 7,037,436

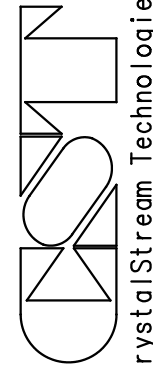
SPECIFICATIONS

1. TOTAL FLOW CAPACITY SHALL BE 6.0 CFS.
2. WATER QUALITY FLOW OF 1.20 CFS IS "NORMAL" DESIGN VOLUME.
3. SPILL PROTECTION CAPACITY IS NORMALLY 300 GALLONS BEFORE OVERFLOW.
4. ANY CHANGES OR SUBSTITUTIONS MUST BE APPROVED BY THE ENGINEER AND THE REVIEWING AUTHORITY.

JOB NAME:

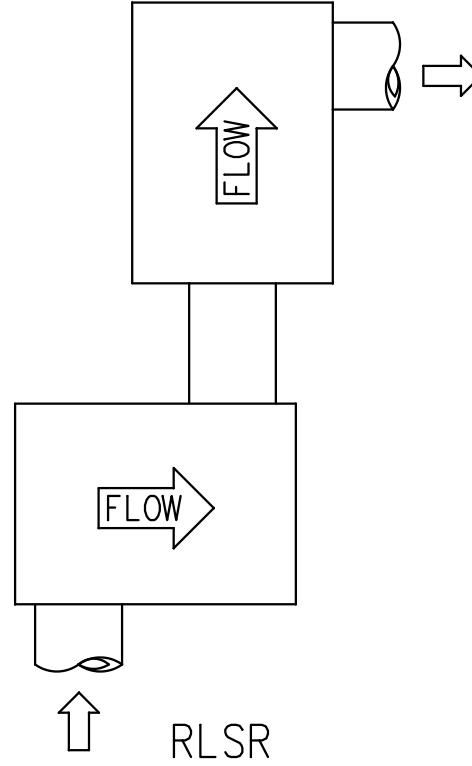
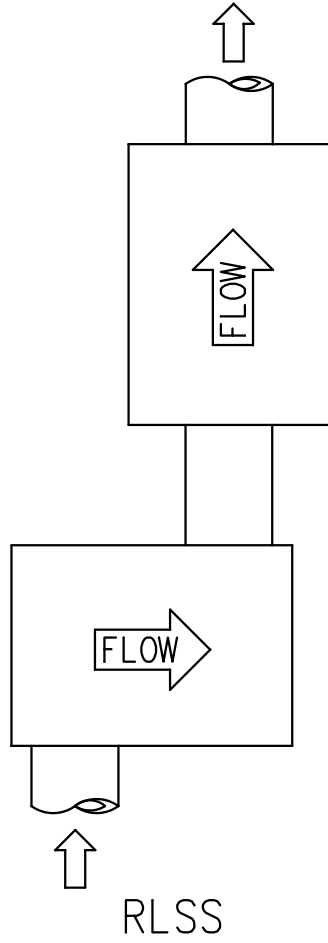
Water Quality Unit
 Orientation
 Device: Double Box Units
 SHEET 6 of 15

DRAWING LAST UPDATED: 07/06/06



CrystalStream Technologies

THIS DRAWING IS COPYRIGHTED AND IS THE SOLE PROPERTY OF PRACTICAL BEST MANAGEMENT, INC. IT IS PROVIDED FOR THE DESIGN CONVENIENCE OF PROFESSIONAL ENGINEERS SPECIFYING CRYSTALSTREAM WATER QUALITY UNITS.



CRYSTALSTREAM WATER QUALITY VAULT
 MODEL "1246", "1856", "2056", "2466"

NOTE: THE ORIENTATION NOMENCLATURE FOR THE PIPES IS BASED ON ORIENTING INITIALLY IN THE DIRECTION OF FLOW FOR THE UNIT AND THEN NAMING THE DIRECTION THE FLOW ENTERS/EXITS THE UNIT. THE OPTIONS ARE LEFT, STRAIGHT OR RIGHT. THE FIRST LETTER INDICATES THE INLET PIPE (OR GRATE) AND THE SECOND LETTER INDICATES THE OUTLET PIPE.

Protected by U.S. Patent No's: 6,797,161; 6,936,163; 6,939,461; 6,951,607; 6,994,783; 7,011,743, 7,037,436

SPECIFICATIONS

1. TOTAL FLOW CAPACITY SHALL BE 6.0 CFS.
2. WATER QUALITY FLOW OF 1.20 CFS IS "NORMAL" DESIGN VOLUME.
3. SPILL PROTECTION CAPACITY IS NORMALLY 300 GALLONS BEFORE OVERFLOW.
4. ANY CHANGES OR SUBSTITUTIONS MUST BE APPROVED BY THE ENGINEER AND THE REVIEWING AUTHORITY.

JOB NAME:

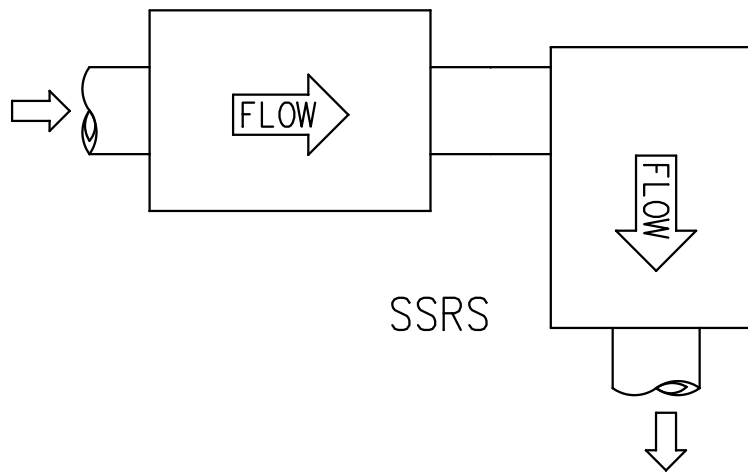
Water Quality Unit
 Orientation
 Device: Double Box Units
 SHEET 7 of 15

DRAWING LAST UPDATED: 07/06/06

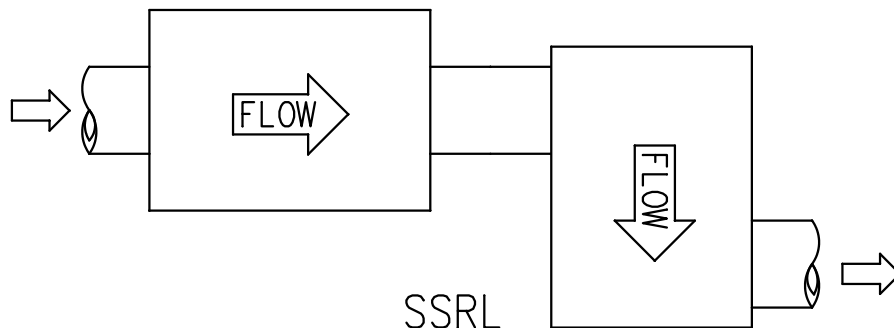


CrystalStream Technologies

THIS DRAWING IS COPYRIGHTED AND IS THE SOLE PROPERTY OF PRACTICAL BEST MANAGEMENT INC. IT IS PROVIDED FOR THE DESIGN CONVENIENCE OF PROFESSIONAL ENGINEERS SPECIFYING CRYSTALSTREAM WATER QUALITY UNITS.



SSRS



SSRL

CRYSTALSTREAM WATER QUALITY VAULT
 MODEL "1246", "1856", "2056", "2466"

NOTE: THE ORIENTATION NOMENCLATURE FOR THE PIPES IS BASED ON ORIENTING INITIALLY IN THE DIRECTION OF FLOW FOR THE UNIT AND THEN NAMING THE DIRECTION THE FLOW ENTERS/EXITS THE UNIT. THE OPTIONS ARE LEFT, STRAIGHT OR RIGHT. THE FIRST LETTER INDICATES THE INLET PIPE (OR GRATE) AND THE SECOND LETTER INDICATES THE OUTLET PIPE.

Protected by U.S. Patent No's: 6,797,161; 6,936,163; 6,939,461; 6,951,607; 6,994,783; 7,011,743, 7,037,436

SPECIFICATIONS

1. TOTAL FLOW CAPACITY SHALL BE 6.0 CFS.
2. WATER QUALITY FLOW OF 1.20 CFS IS "NORMAL" DESIGN VALUE.
3. SPILL PROTECTION CAPACITY IS NORMALLY 300 GALLONS BEFORE OVERFLOW.
4. ANY CHANGES OR SUBSTITUTIONS MUST BE APPROVED BY THE ENGINEER AND THE REVIEWING AUTHORITY.

JOB NAME:

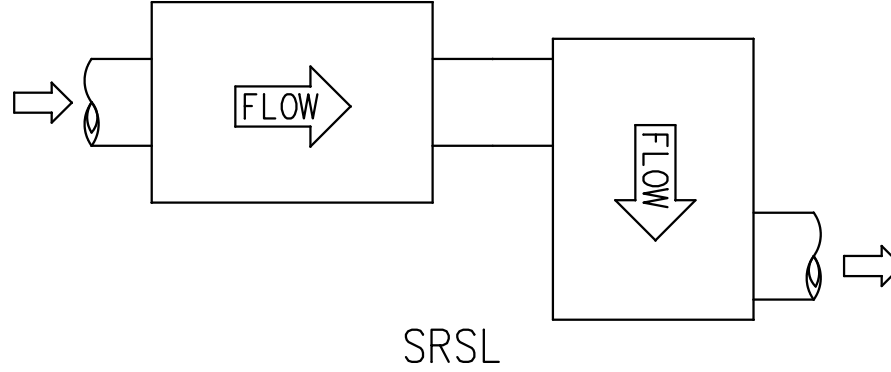
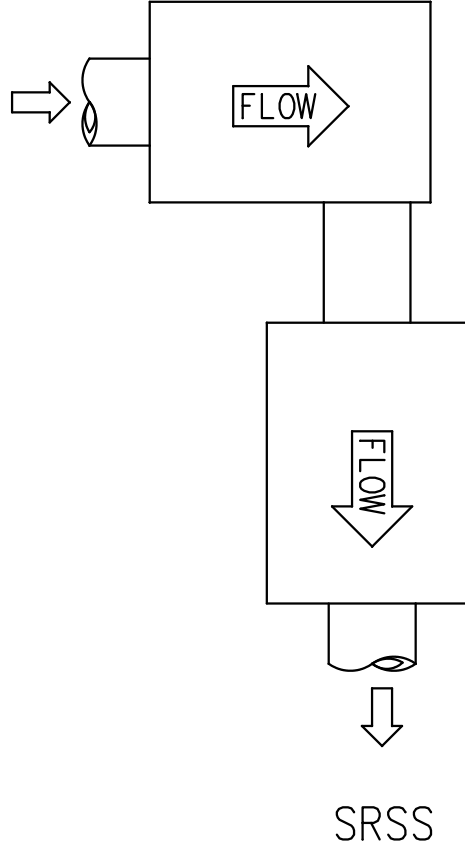
Water Quality Unit
 Orientation
 Device: Double Box Units
 SHEET 8 of 15

DRAWING LAST UPDATED: 07/06/06



CrystalStream Technologies

THIS DRAWING IS COPYRIGHTED AND IS THE SOLE PROPERTY OF PRACTICAL BEST MANAGEMENT, INC. IT IS PROVIDED FOR THE DESIGN CONVENIENCE OF PROFESSIONAL ENGINEERS SPECIFYING CRYSTALSTREAM WATER QUALITY UNITS.



CRYSTALSTREAM WATER QUALITY VAULT
 MODEL "1246", "1856", "2056", "2466"

NOTE: THE ORIENTATION NOMENCLATURE FOR THE PIPES IS BASED ON ORIENTING INITIALLY IN THE DIRECTION OF FLOW FOR THE UNIT AND THEN NAMING THE DIRECTION THE FLOW ENTERS/EXITS THE UNIT. THE OPTIONS ARE LEFT, STRAIGHT OR RIGHT. THE FIRST LETTER INDICATES THE INLET PIPE (OR GRATE) AND THE SECOND LETTER INDICATES THE OUTLET PIPE.

Protected by U.S. Patent No's: 6,797,161; 6,936,163; 6,939,461; 6,951,607; 6,994,783; 7,011,743, 7,037,436

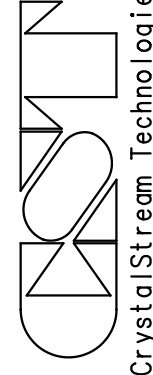
SPECIFICATIONS

1. TOTAL FLOW CAPACITY SHALL BE 6.0 CFS.
2. WATER QUALITY FLOW OF 1.20 CFS IS "NORMAL" DESIGN VALUE.
3. SPILL PROTECTION CAPACITY IS NORMALLY 300 GALLONS BEFORE OVERFLOW.
4. ANY CHANGES OR SUBSTITUTIONS MUST BE APPROVED BY THE ENGINEER AND THE REVIEWING AUTHORITY.

JOB NAME:

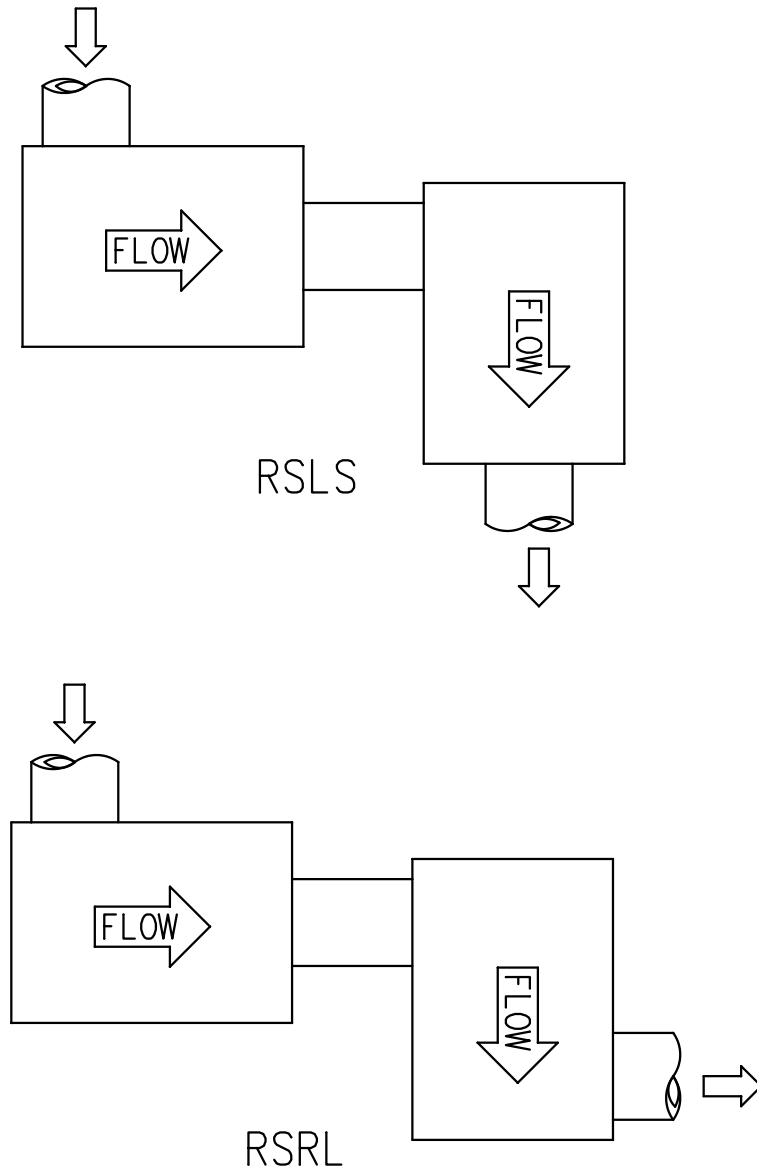
Water Quality Unit
 Orientation
 Device: Double Box Units
 SHEET 9 of 15

DRAWING LAST UPDATED: 07/06/06



CrystalStream Technologies

THIS DRAWING IS COPYRIGHTED AND IS THE SOLE PROPERTY OF PRACTICAL BEST MANAGEMENT, INC. IT IS PROVIDED FOR THE DESIGN CONVENIENCE OF PROFESSIONAL ENGINEERS SPECIFYING CRYSTALSTREAM WATER QUALITY UNITS.



CRYSTALSTREAM WATER QUALITY VAULT
 MODEL "1246", "1856", "2056", "2466"

NOTE: THE ORIENTATION NOMENCLATURE FOR THE PIPES IS BASED ON ORIENTING INITIALLY IN THE DIRECTION OF FLOW FOR THE UNIT AND THEN NAMING THE DIRECTION THE FLOW ENTERS/EXITS THE UNIT. THE OPTIONS ARE LEFT, STRAIGHT OR RIGHT. THE FIRST LETTER INDICATES THE INLET PIPE (OR GRATE) AND THE SECOND LETTER INDICATES THE OUTLET PIPE.

Protected by U.S. Patent No's: 6,797,161; 6,936,163; 6,939,461; 6,951,607; 6,994,783; 7,011,743, 7,037,436

SPECIFICATIONS

1. TOTAL FLOW CAPACITY SHALL BE 6.0 CFS.
2. WATER QUALITY FLOW OF 1.20 CFS IS "NORMAL" DESIGN VALUE.
3. SPILL PROTECTION CAPACITY IS NORMALLY 300 GALLONS BEFORE OVERFLOW.
4. ANY CHANGES OR SUBSTITUTIONS MUST BE APPROVED BY THE ENGINEER AND THE REVIEWING AUTHORITY.

JOB NAME:

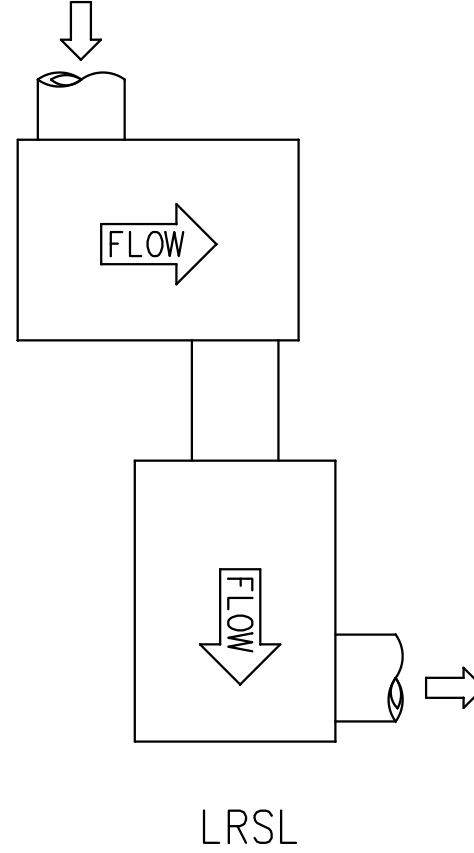
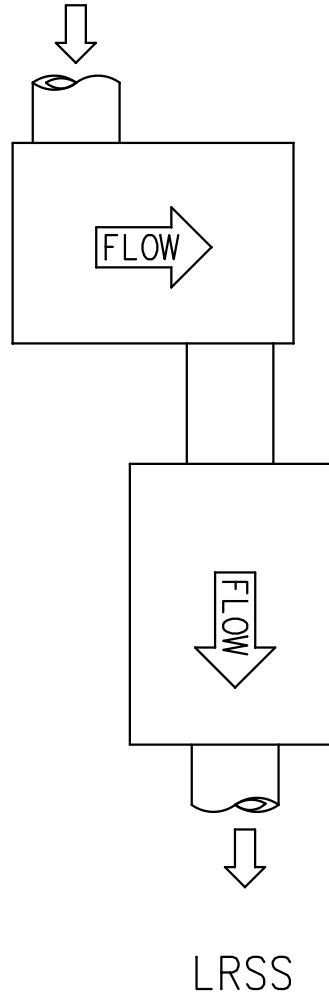
Water Quality Unit
 Orientation
 Device: Double Box Units
 SHEET 10 of 15

DRAWING LAST UPDATED: 07/06/06



CrystalStream Technologies

THIS DRAWING IS COPYRIGHTED AND IS THE SOLE PROPERTY OF PRACTICAL BEST MANAGEMENT, INC. IT IS PROVIDED FOR THE DESIGN CONVENIENCE OF PROFESSIONAL ENGINEERS SPECIFYING CRYSTALSTREAM WATER QUALITY UNITS.



CRYSTALSTREAM WATER QUALITY VAULT
 MODEL "1246", "1856", "2056", "2466"

NOTE: THE ORIENTATION NOMENCLATURE FOR THE PIPES IS BASED ON ORIENTING INITIALLY IN THE DIRECTION OF FLOW FOR THE UNIT AND THEN NAMING THE DIRECTION THE FLOW ENTERS/EXITS THE UNIT. THE OPTIONS ARE LEFT, STRAIGHT OR RIGHT. THE FIRST LETTER INDICATES THE INLET PIPE (OR GRATE) AND THE SECOND LETTER INDICATES THE OUTLET PIPE.

Protected by U.S. Patent No's: 6,797,161; 6,936,163; 6,939,461; 6,951,607; 6,994,783; 7,011,743, 7,037,436

SPECIFICATIONS

1. TOTAL FLOW CAPACITY SHALL BE 6.0 CFS.
2. WATER QUALITY FLOW OF 1.20 CFS IS "NORMAL" DESIGN VALLUE.
3. SPILL PROTECTION CAPACITY IS NORMALLY 300 GALLONS BEFORE OVERFLOW.
4. ANY CHANGES OR SUBSTITUTIONS MUST BE APPROVED BY THE ENGINEER AND THE REVIEWING AUTHORITY.

JOB NAME:

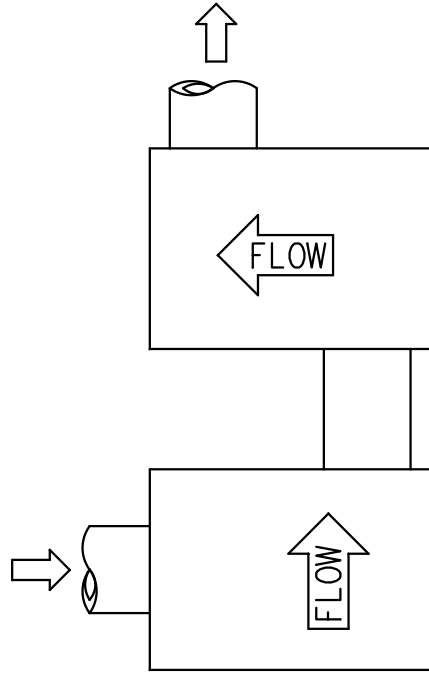
Water Quality Unit
 Orientation
 Device: Double Box Units
 SHEET 11 of 15

DRAWING LAST UPDATED: 07/06/06

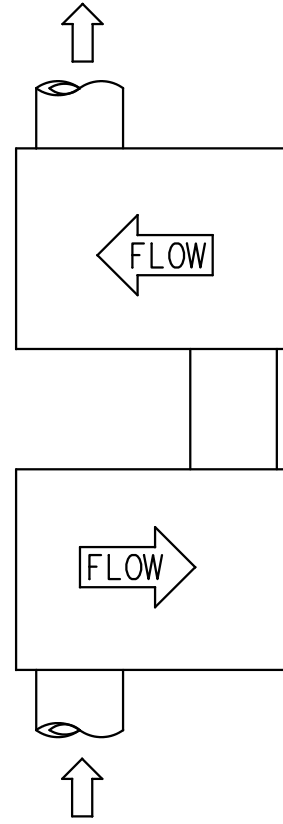


CrystalStream Technologies

THIS DRAWING IS COPYRIGHTED AND IS THE SOLE PROPERTY OF PRACTICAL BEST MANAGEMENT INC. IT IS PROVIDED FOR THE DESIGN CONVENIENCE OF PROFESSIONAL ENGINEERS SPECIFYING CRYSTALSTREAM WATER QUALITY UNITS.



SLLR



RLLR

CRYSTALSTREAM WATER QUALITY VAULT
 MODEL "1246", "1856", "2056", "2466"

NOTE: THE ORIENTATION NOMENCLATURE FOR THE PIPES IS BASED ON ORIENTING INITIALLY IN THE DIRECTION OF FLOW FOR THE UNIT AND THEN NAMING THE DIRECTION THE FLOW ENTERS/EXITS THE UNIT. THE OPTIONS ARE LEFT, STRAIGHT OR RIGHT. THE FIRST LETTER INDICATES THE INLET PIPE (OR GRATE) AND THE SECOND LETTER INDICATES THE OUTLET PIPE.

Protected by U.S. Patent No's: 6,797,161; 6,936,163; 6,939,461; 6,951,607; 6,994,783; 7,011,743, 7,037,436

SPECIFICATIONS

1. TOTAL FLOW CAPACITY SHALL BE 6.0 CFS.
2. WATER QUALITY FLOW OF 1.20 CFS IS "NORMAL" DESIGN VALUE.
3. SPILL PROTECTION CAPACITY IS NORMALLY 300 GALLONS BEFORE OVERFLOW.
4. ANY CHANGES OR SUBSTITUTIONS MUST BE APPROVED BY THE ENGINEER AND THE REVIEWING AUTHORITY.

JOB NAME:

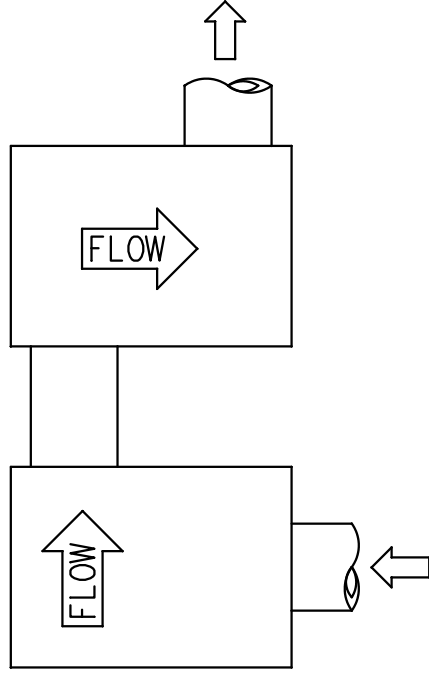
Water Quality Unit
 Orientation
 Device: Double Box Units
 SHEET 12 of 15

DRAWING LAST UPDATED: 07/06/06

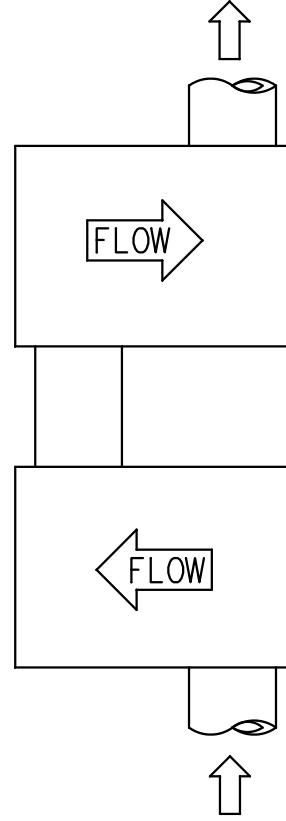


CrystalStream Technologies

THIS DRAWING IS COPYRIGHTED AND IS THE SOLE PROPERTY OF PRACTICAL BEST MANAGEMENT, INC. IT IS PROVIDED FOR THE DESIGN CONVENIENCE OF PROFESSIONAL ENGINEERS SPECIFYING CRYSTALSTREAM WATER QUALITY UNITS.



SRRL



LRRL

CRYSTALSTREAM WATER QUALITY VAULT
 MODEL "1246", "1856", "2056", "2466"

NOTE: THE ORIENTATION NOMENCLATURE FOR THE PIPES IS BASED ON ORIENTING INITIALLY IN THE DIRECTION OF FLOW FOR THE UNIT AND THEN NAMING THE DIRECTION THE FLOW ENTERS/EXITS THE UNIT. THE OPTIONS ARE LEFT, STRAIGHT OR RIGHT. THE FIRST LETTER INDICATES THE INLET PIPE (OR GRATE) AND THE SECOND LETTER INDICATES THE OUTLET PIPE.

Protected by U.S. Patent No's: 6,797,161; 6,936,163; 6,939,461; 6,951,607; 6,994,783; 7,011,743, 7,037,436

SPECIFICATIONS

1. TOTAL FLOW CAPACITY SHALL BE 6.0 CFS.
2. WATER QUALITY FLOW OF 1.20 CFS IS "NORMAL" DESIGN VALLUE.
3. SPILL PROTECTION CAPACITY IS NORMALLY 300 GALLONS BEFORE OVERFLOW.
4. ANY CHANGES OR SUBSTITUTIONS MUST BE APPROVED BY THE ENGINEER AND THE REVIEWING AUTHORITY.

JOB NAME:

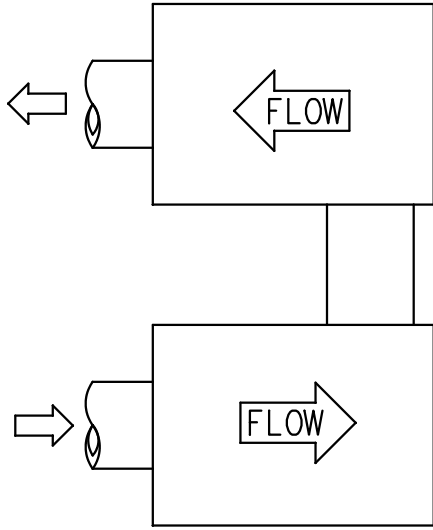
Water Quality Unit
 Orientation
 Device: Double Box Units
 SHEET 13 of 15

DRAWING LAST UPDATED: 07/06/06

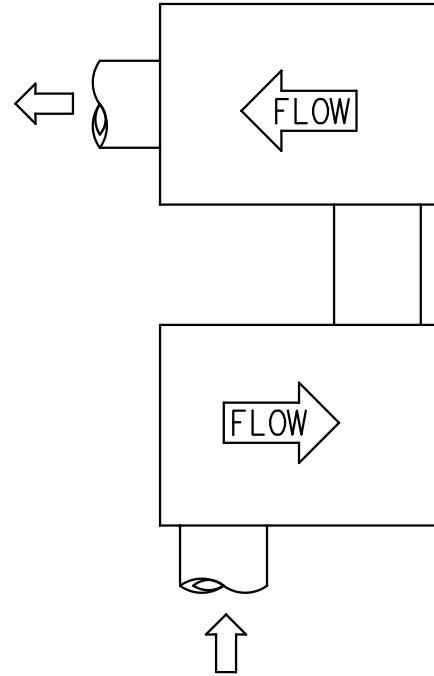


CrystalStream Technologies

THIS DRAWING IS COPYRIGHTED AND IS THE SOLE PROPERTY OF PRACTICAL BEST MANAGEMENT INC. IT IS PROVIDED FOR THE DESIGN CONVENIENCE OF PROFESSIONAL ENGINEERS SPECIFYING CRYSTALSTREAM WATER QUALITY UNITS.



SLLS



RLLS

CRYSTALSTREAM WATER QUALITY VAULT
 MODEL "1246", "1856", "2056", "2466"

NOTE: THE ORIENTATION NOMENCLATURE FOR THE PIPES IS BASED ON ORIENTING INITIALLY IN THE DIRECTION OF FLOW FOR THE UNIT AND THEN NAMING THE DIRECTION THE FLOW ENTERS/EXITS THE UNIT. THE OPTIONS ARE LEFT, STRAIGHT OR RIGHT. THE FIRST LETTER INDICATES THE INLET PIPE (OR GRATE) AND THE SECOND LETTER INDICATES THE OUTLET PIPE.

Protected by U.S. Patent No's: 6,797,161; 6,936,163; 6,939,461; 6,951,607; 6,994,783; 7,011,743, 7,037,436

SPECIFICATIONS

1. TOTAL FLOW CAPACITY SHALL BE 6.0 CFS.
2. WATER QUALITY FLOW OF 1.20 CFS IS "NORMAL" DESIGN VALLUE.
3. SPILL PROTECTION CAPACITY IS NORMALLY 300 GALLONS BEFORE OVERFLOW.
4. ANY CHANGES OR SUBSTITUTIONS MUST BE APPROVED BY THE ENGINEER AND THE REVIEWING AUTHORITY.

JOB NAME:

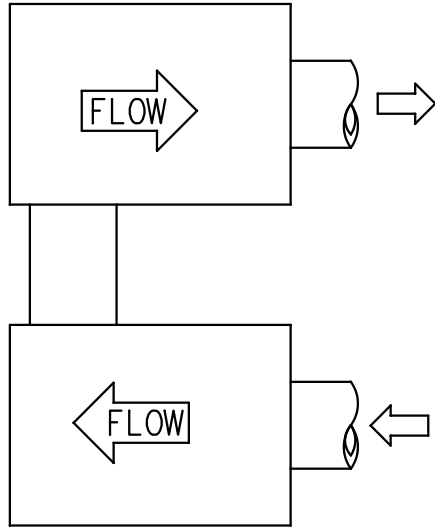
Water Quality Unit
 Orientation
 Device: Double Box Units
 SHEET 14 of 15

DRAWING LAST UPDATED: 07/06/06

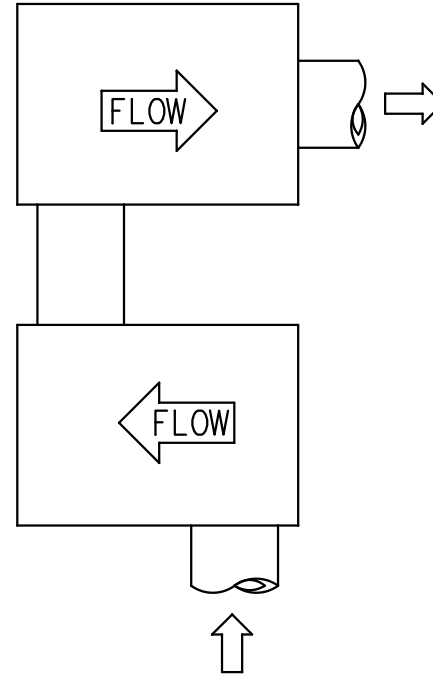


CrystalStream Technologies

THIS DRAWING IS COPYRIGHTED AND IS THE SOLE PROPERTY OF PRACTICAL BEST MANAGEMENT INC. IT IS PROVIDED FOR THE DESIGN CONVENIENCE OF PROFESSIONAL ENGINEERS SPECIFYING CRYSTALSTREAM WATER QUALITY UNITS.



SRRS



LRRS

CRYSTALSTREAM WATER QUALITY VAULT
 MODEL "1246", "1856", "2056", "2466"

NOTE: THE ORIENTATION NOMENCLATURE FOR THE PIPES IS BASED ON ORIENTING INITIALLY IN THE DIRECTION OF FLOW FOR THE UNIT AND THEN NAMING THE DIRECTION THE FLOW ENTERS/EXITS THE UNIT. THE OPTIONS ARE LEFT, STRAIGHT OR RIGHT. THE FIRST LETTER INDICATES THE INLET PIPE (OR GRATE) AND THE SECOND LETTER INDICATES THE OUTLET PIPE.

Protected by U.S. Patent No's: 6,797,161; 6,936,163; 6,939,461; 6,951,607; 6,994,783; 7,011,743, 7,037,436

SPECIFICATIONS

1. TOTAL FLOW CAPACITY SHALL BE 6.0 CFS.
2. WATER QUALITY FLOW OF 1.20 CFS IS "NORMAL" DESIGN VOLUME.
3. SPILL PROTECTION CAPACITY IS NORMALLY 300 GALLONS BEFORE OVERFLOW.
4. ANY CHANGES OR SUBSTITUTIONS MUST BE APPROVED BY THE ENGINEER AND THE REVIEWING AUTHORITY.

JOB NAME:

Water Quality Unit
 Orientation
 Device: Double Box Units
 SHEET 15 of 15

DRAWING LAST UPDATED: 07/06/06



CrystalStream Technologies

THIS DRAWING IS COPYRIGHTED AND IS THE SOLE PROPERTY OF PRACTICAL BEST MANAGEMENT INC. IT IS PROVIDED FOR THE DESIGN CONVENIENCE OF PROFESSIONAL ENGINEERS SPECIFYING CRYSTALSTREAM WATER QUALITY UNITS.