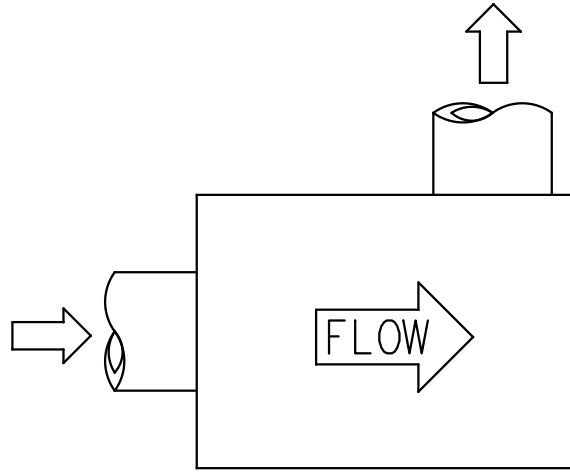
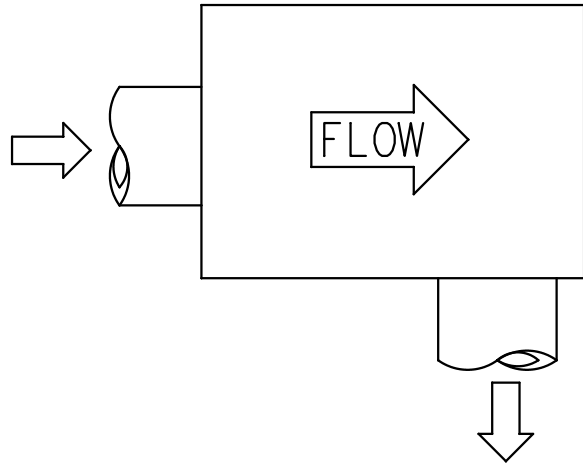


STRAIGHT/STRAIGHT
(SS)



STRAIGHT/LEFT
(SL)



STRAIGHT/RIGHT
(SR)

CRYSTALSTREAM WATER QUALITY VAULT
ALL SINGLE VAULT MODELS

NOTE: THE ORIENTATION NOMENCLATURE FOR THE PIPES IS BASED ON ORIENTING INITIALLY IN THE DIRECTION OF FLOW FOR THE UNIT AND THEN NAMING THE DIRECTION THE FLOW ENTERS/EXITS THE UNIT. THE OPTIONS ARE LEFT, STRAIGHT OR RIGHT. THE FIRST LETTER INDICATES THE INLET PIPE (OR GRATE) AND THE SECOND LETTER INDICATES THE OUTLET PIPE.

Protected by U.S. Patent No's: 6,797,161; 6,936,163; 6,939,461; 6,951,607; 6,994,783; 7,011,743, 7,037,436

SPECIFICATIONS

1. TOTAL FLOW CAPACITY SHALL BE 6.0 CFS.
2. WATER QUALITY FLOW OF 1.20 CFS IS "NORMAL" DESIGN VALUE.
3. SPILL PROTECTION CAPACITY IS NORMALLY 300 GALLONS BEFORE OVERFLOW.
4. ANY CHANGES OR SUBSTITUTIONS MUST BE APPROVED BY THE ENGINEER AND THE REVIEWING AUTHORITY.

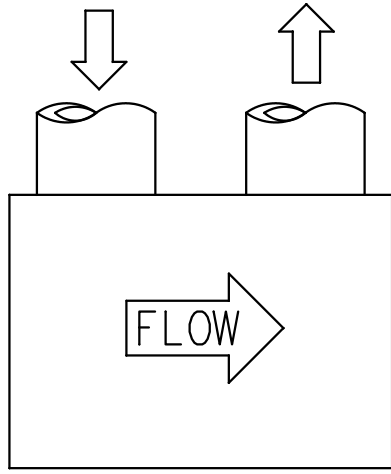
JOB NAME:
Water Quality Unit
Orientation
Device No.: SINGLE BOX
SHEET 1 of 4

DRAWING LAST UPDATED: 07/06/06

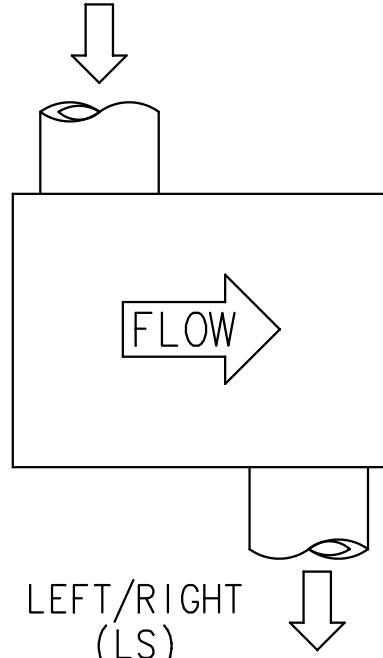


CrystalStream Technologies

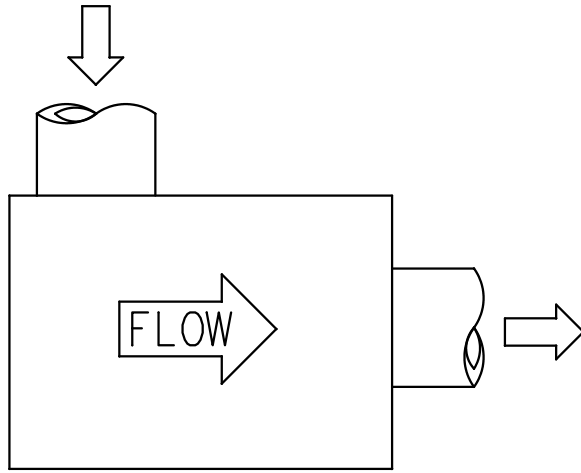
THIS DRAWING IS COPYRIGHTED AND IS THE SOLE PROPERTY OF PRACTICAL BEST MANAGEMENT INC. IT IS PROVIDED FOR THE DESIGN CONVENIENCE OF PROFESSIONAL ENGINEERS SPECIFYING CRYSTALSTREAM WATER QUALITY UNITS.



LEFT/LEFT
(LL)



LEFT/RIGHT
(LS)



LEFT/STRAIGHT
(LS)

CRYSTALSTREAM WATER QUALITY VAULT
ALL SINGLE VAULT MODELS

NOTE: THE ORIENTATION NOMENCLATURE FOR THE PIPES IS BASED ON ORIENTING INITIALLY IN THE DIRECTION OF FLOW FOR THE UNIT AND THEN NAMING THE DIRECTION THE FLOW ENTERS/EXITS THE UNIT. THE OPTIONS ARE LEFT, STRAIGHT OR RIGHT. THE FIRST LETTER INDICATES THE INLET PIPE (OR GRATE) AND THE SECOND LETTER INDICATES THE OUTLET PIPE.

Protected by U.S. Patent No's: 6,797,161; 6,936,163; 6,939,461; 6,951,607; 6,994,783; 7,011,743, 7,037,436

SPECIFICATIONS

1. TOTAL FLOW CAPACITY SHALL BE 6.0 CFS.
2. WATER QUALITY FLOW OF 1.20 CFS IS "NORMAL" DESIGN VALUE.
3. SPILL PROTECTION CAPACITY IS NORMALLY 300 GALLONS BEFORE OVERFLOW.
4. ANY CHANGES OR SUBSTITUTIONS MUST BE APPROVED BY THE ENGINEER AND THE REVIEWING AUTHORITY.

JOB NAME:

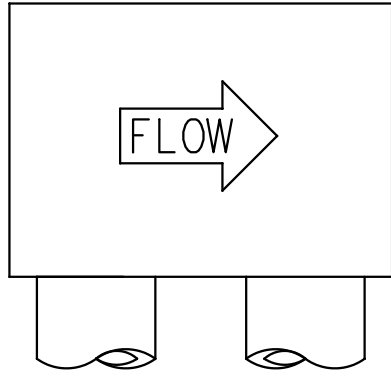
Water Quality Unit
Orientation
Device No.: SINGLE BOX
SHEET 2 of 4

DRAWING LAST UPDATED: 07/06/06

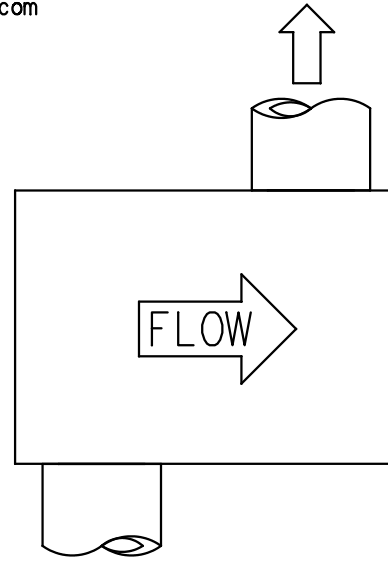


CrystalStream Technologies

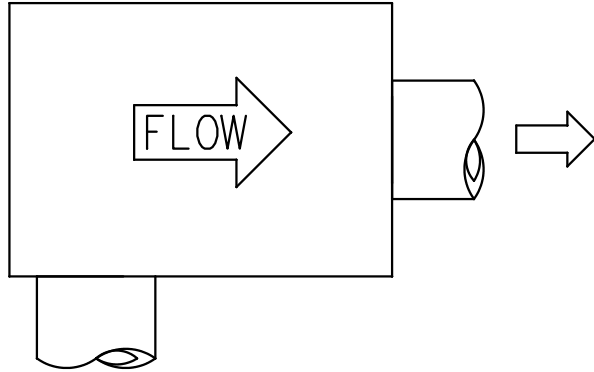
THIS DRAWING IS COPYRIGHTED AND IS THE SOLE PROPERTY OF PRACTICAL BEST MANAGEMENT INC. IT IS PROVIDED FOR THE DESIGN CONVENIENCE OF PROFESSIONAL ENGINEERS SPECIFYING CRYSTALSTREAM WATER QUALITY UNITS.



RIGHT/RIGHT
(RR)



RIGHT/LEFT
(RL)



RIGHT/STRAIGHT
(RS)

CRYSTALSTREAM WATER QUALITY VAULT
ALL SINGLE VAULT MODELS

NOTE: THE ORIENTATION NOMENCLATURE FOR THE PIPES IS BASED ON ORIENTING INITIALLY IN THE DIRECTION OF FLOW FOR THE UNIT AND THEN NAMING THE DIRECTION THE FLOW ENTERS/EXITS THE UNIT. THE OPTIONS ARE LEFT, STRAIGHT OR RIGHT. THE FIRST LETTER INDICATES THE INLET PIPE (OR GRATE) AND THE SECOND LETTER INDICATES THE OUTLET PIPE.

Protected by U.S. Patent No's: 6,797,161; 6,936,163; 6,939,461; 6,951,607; 6,994,783; 7,011,743, 7,037,436

SPECIFICATIONS

1. TOTAL FLOW CAPACITY SHALL BE 6.0 CFS.
2. WATER QUALITY FLOW OF 1.20 CFS IS "NORMAL" DESIGN VALUE.
3. SPILL PROTECTION CAPACITY IS NORMALLY 300 GALLONS BEFORE OVERFLOW.
4. ANY CHANGES OR SUBSTITUTIONS MUST BE APPROVED BY THE ENGINEER AND THE REVIEWING AUTHORITY.

JOB NAME:

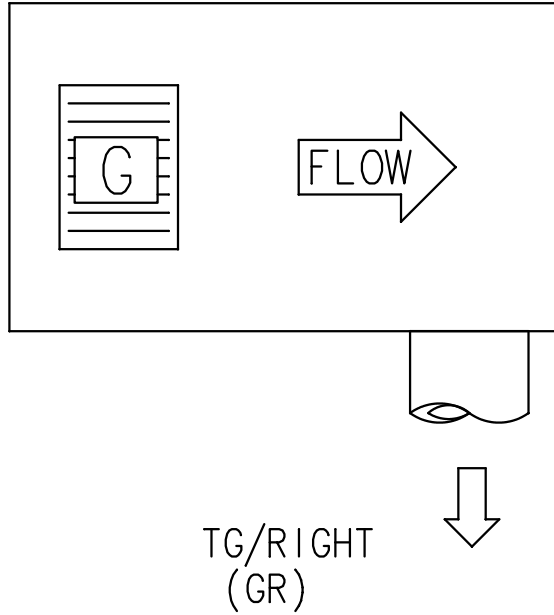
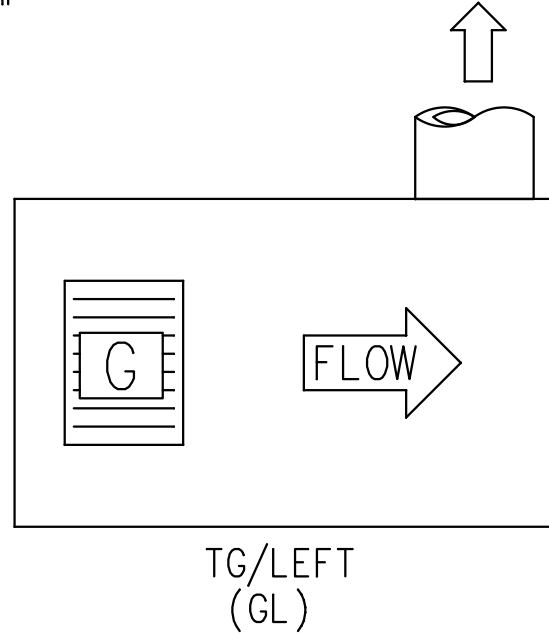
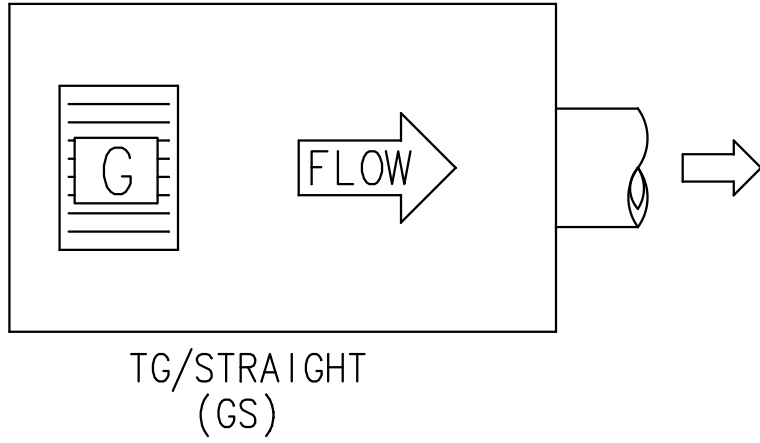
Water Quality Unit
Orientation
Device No.: SINGLE BOX
SHEET 3 of 4

DRAWING LAST UPDATED: 07/06/06



CrystalStream Technologies

THIS DRAWING IS COPYRIGHTED AND IS THE SOLE PROPERTY OF PRACTICAL BEST MANAGEMENT INC. IT IS PROVIDED FOR THE DESIGN CONVENIENCE OF PROFESSIONAL ENGINEERS SPECIFYING CRYSTALSTREAM WATER QUALITY UNITS.



CRYSTALSTREAM WATER QUALITY VAULT
ALL SINGLE VAULT MODELS

NOTE: THE ORIENTATION NOMENCLATURE FOR THE PIPES IS BASED ON ORIENTING INITIALLY IN THE DIRECTION OF FLOW FOR THE UNIT AND THEN NAMING THE DIRECTION THE FLOW ENTERS/EXITS THE UNIT. THE OPTIONS ARE LEFT, STRAIGHT OR RIGHT. THE FIRST LETTER INDICATES THE INLET PIPE (OR GRATE) AND THE SECOND LETTER INDICATES THE OUTLET PIPE.

Protected by U.S. Patent No's: 6,797,161; 6,936,163; 6,951,607; 6,994,783; 7,011,743, 7,037,436

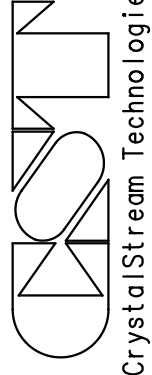
SPECIFICATIONS

1. TOTAL FLOW CAPACITY SHALL BE 6.0 CFS.
2. WATER QUALITY FLOW OF 1.20 CFS IS "NORMAL" DESIGN VALUE.
3. SPILL PROTECTION CAPACITY IS NORMALLY 300 GALLONS BEFORE OVERFLOW.
4. ANY CHANGES OR SUBSTITUTIONS MUST BE APPROVED BY THE ENGINEER AND THE REVIEWING AUTHORITY.

JOB NAME:

Water Quality Unit
Orientation
Device No.: SINGLE BOX
SHEET 4 of 4

DRAWING LAST UPDATED: 07/06/06



CrystalStream Technologies

THIS DRAWING IS COPYRIGHTED AND IS THE SOLE PROPERTY OF PRACTICAL BEST MANAGEMENT INC. IT IS PROVIDED FOR THE DESIGN CONVENIENCE OF PROFESSIONAL ENGINEERS SPECIFYING CRYSTALSTREAM WATER QUALITY UNITS.