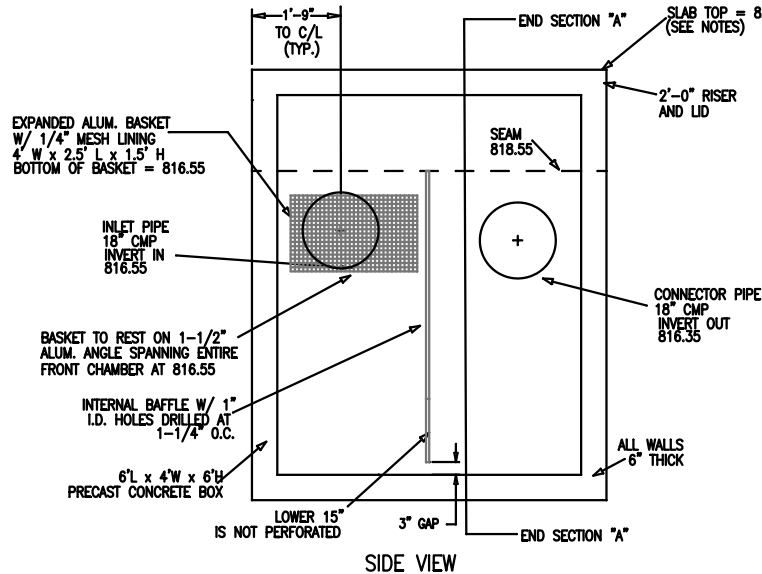
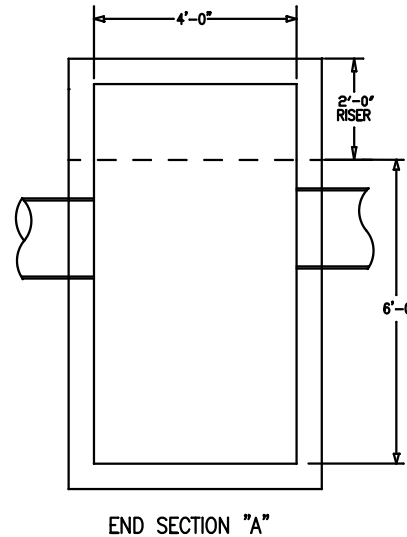


Ship grate and frame, manhole ring and cover loose. Contractor to brick up 0.29+- to grade due to uneven terrain. Final grade is 821.27 +-.



SLAB TOP = 820.55 (SEE NOTES)



CRYSTALSTREAM WATER QUALITY VAULT
MODEL "1246"

Protected by U.S. Patent No's: 6,797,161; 6,936,163; 6,939,461; 6,951,607; 6,994,783; 7,011,743, 7,037,436

SPECIFICATIONS

JOB NAME:
SAMPLE 1246

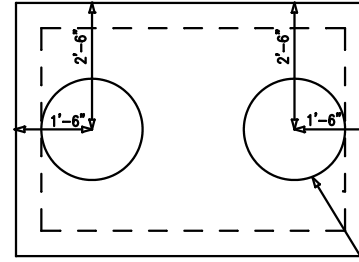
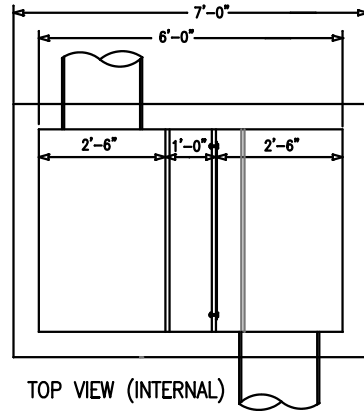
Device No.: CST-1
CST PROJECT NUMBER

DESIGN FIRM: Engineer's Name



CrystalStream Technologies

THIS DRAWING IS COPYRIGHTED AND IS THE SOLE PROPERTY OF PRACTICAL BEST MANAGEMENT, INC. IT IS PROVIDED FOR THE EXCLUSIVE USE OF THE PROFESSIONAL ENGINEER NAMED HEREON. DESIGN IS BASED ON AND RELIES UPON DATA PROVIDED BY THE ENGINEER NAMED HEREON.

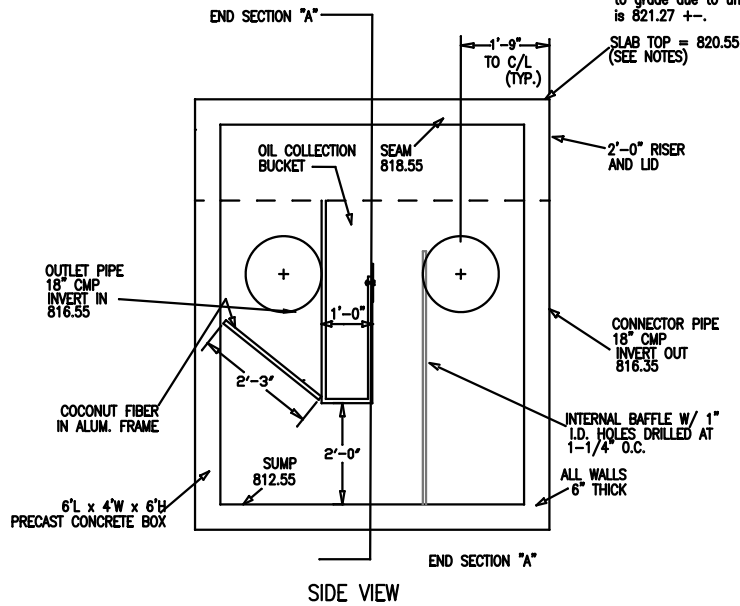


2 FT. DIA. MANHOLE COVER (TYP.)

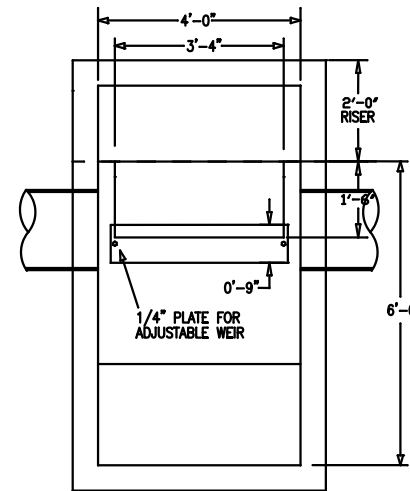
TOP VIEW (INTERNAL)

TOP VIEW LID

Ship grate and frame, manhole ring and cover loose. Contractor to brick up 0.29+/- to grade due to uneven terrain. Final grade is 821.27 +/-.



SIDE VIEW



END SECTION "A"

CRYSTALSTREAM WATER QUALITY VAULT
MODEL "646"

Protected by U.S. Patent No's: 6,797,161; 6,936,163; 6,939,461; 6,951,607; 6,994,783; 7,011,743, 7,037,436

SPECIFICATIONS



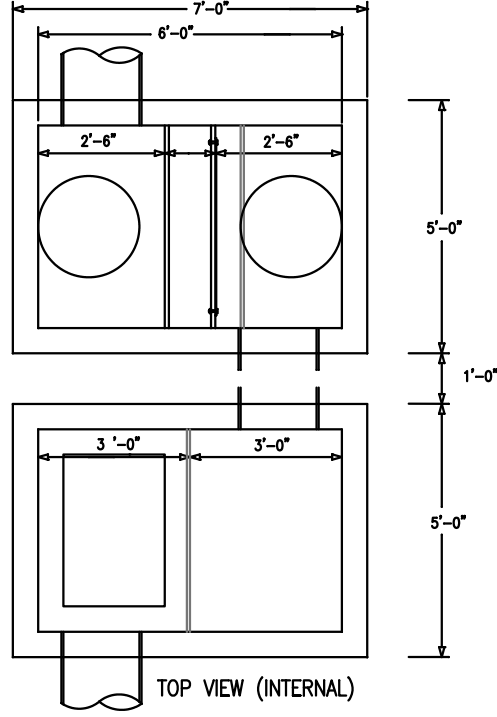
CrystalStream Technologies
THIS DRAWING IS COPYRIGHTED AND IS THE SOLE PROPERTY OF PRACTICAL BEST MANAGEMENT, INC. IT IS PROVIDED FOR THE EXCLUSIVE USE OF THE PROFESSIONAL ENGINEER NAMED HEREON. DESIGN IS BASED ON AND RELIES UPON DATA PROVIDED BY THE ENGINEER NAMED HEREON.

JOB NAME:

SAMPLE 1246

Device No.: CST-1
CST PROJECT NUMBER

DESIGN FIRM: Engineer's Name



CRYSTALSTREAM WATER QUALITY VAULT
MODEL "1246"

Protected by U.S. Patent No's: 6,797,161; 6,936,163; 6,939,461; 6,951,607; 6,994,783; 7,011,743, 7,037,436

SPECIFICATIONS

JOB NAME:
SAMPLE 1246

Device No.: CST-1
CST PROJECT NUMBER

DESIGN FIRM: Engineer's Name



CrystalStream Technologies

THIS DRAWING IS COPYRIGHTED AND IS THE SOLE PROPERTY OF PRACTICAL BEST MANAGEMENT, INC. IT IS PROVIDED FOR THE EXCLUSIVE USE OF THE PROFESSIONAL ENGINEER NAMED HEREON. DESIGN IS BASED ON AND RELIES UPON DATA PROVIDED BY THE ENGINEER NAMED HEREON.