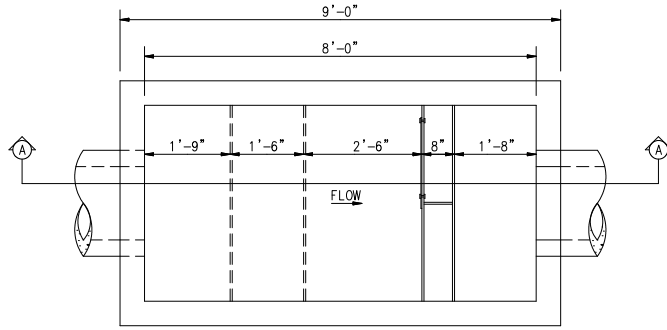
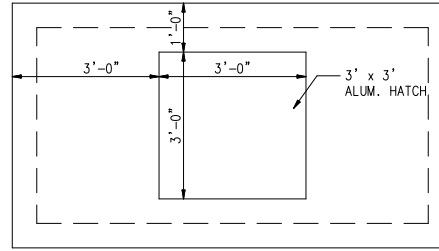


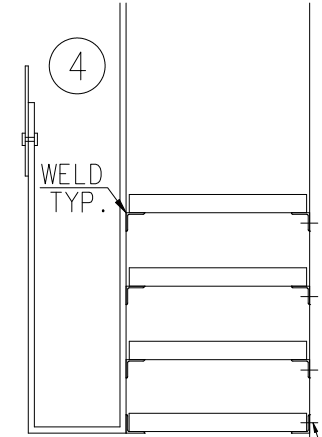
1. ALL PIPES SHALL BE CONSTRUCTED TO BE FLUSH WITH THE INSIDE WALLS.
2. CONTRACTOR IS RESPONSIBLE FOR PROVIDING ALL PIPING, INCLUDING PIPES BETWEEN VAULTS.



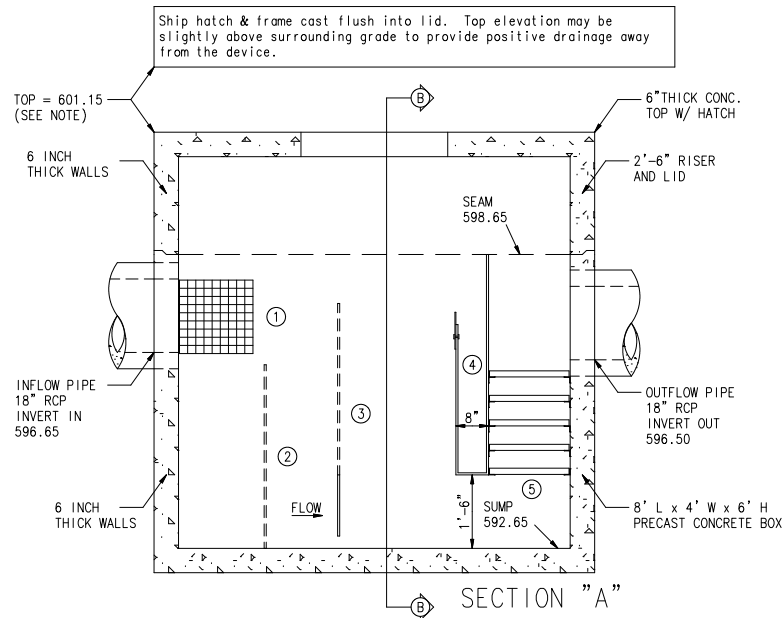
TOP VIEW (INTERNAL)



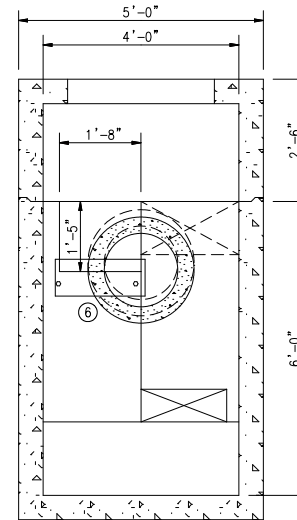
TOP VIEW (SLAB)



FILTER DETAIL



SECTION "A"



SECTION B

LEGEND

- ① EXPANDED ALUMINUM BASKET W/ 1/4" MESH LINING, 1'-6" H x 1'-6" L x 4'-0" W
- ② 1ST INTERNAL BAFFLE W/ 1" HOLES DRILLED AT 1-1/4" O.C., 3'-9" H.
- ③ 2ND INTERNAL BAFFLE W/ 1" HOLES DRILLED AT 1 1/4" O.C., 5'-0" H.
- ④ SPILL PROTECTION RESERVOIR 4'-6" H. WITH A 1'-5" FRONT CUT.
- ⑤ FIVE SETS OF TWO FRAMES FOR FILTER MEDIA. EACH FRAME MEASURES 19" BY 23" AND IS MADE OF WELDED 1 1/4" X 1 1/4" X 1/8" ALUMINUM ANGLES WITH AN EXPANDED ALUMINUM METAL BACKER TO SUPPORT THE FILTER MEDIA.
- ⑥ 1/4" ALUMINUM PLATE, 9" H., 3'-6" WIDE.

Protected by U.S. Patent No's: 6,797,161; 6,936,163; 6,939,461; 6,951,607; 6,994,783; 7,011,743; 7,037,436

SPECIFICATIONS

1. TOTAL FLOW CAPACITY SHALL BE 8 CFS.
2. WATER QUALITY FLOW OF 1.2 CFS MUST BE TREATED BEFORE BYPASS.
3. SPILL PROTECTION CAPACITY SHALL BE 350 GALLONS BEFORE OVERFLOW.
4. ANY CHANGES OR SUBSTITUTIONS MUST BE APPROVED BY THE ENGINEER AND THE REVIEWING AUTHORITY.

Sample 846 HP newformat 11/17/2008
JOB NAME:

Sample 840 HP

Device No.: CST-1
CST PROJECT NUMBER

DESIGN FIRM: Engineer's Name



CrystalStream Technologies

THIS DRAWING IS COPYRIGHTED AND IS THE SOLE PROPERTY OF PRACTICAL BEST MANAGEMENT, INC. IT IS PROVIDED FOR THE EXCLUSIVE USE OF THE PROFESSIONAL ENGINEER NAMED HEREON. DESIGN IS BASED ON AND RELIES UPON DATA PROVIDED BY THE ENGINEER NAMED HEREON.

CRYSTALPURE HYBRID WATER QUALITY SEPARATOR/POLISHER
MODEL "840 HP"

WATER QUALITY SPEED
LIMIT WITH NO BYPASS =
1.47 CFS