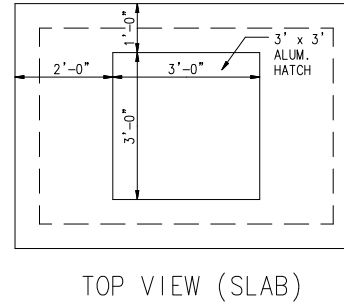
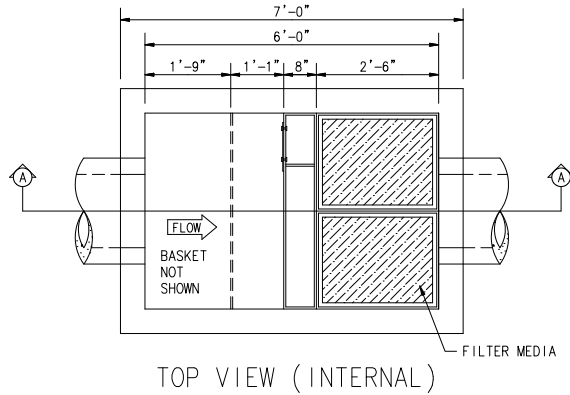
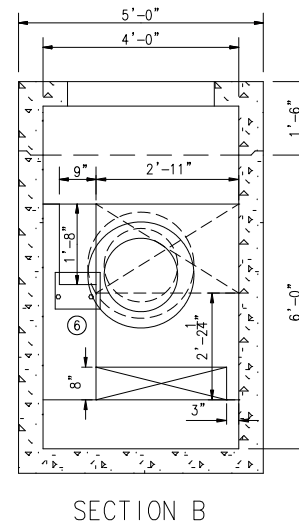
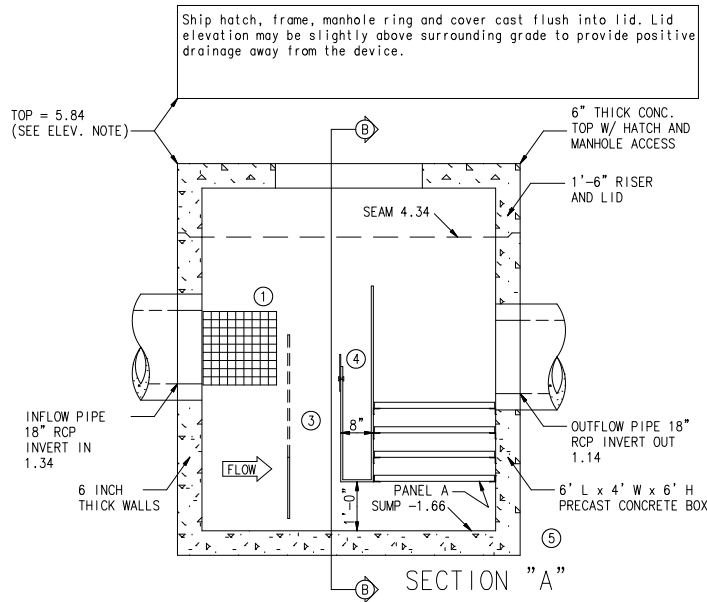


1. ALL PIPES SHALL BE CONSTRUCTED TO BE FLUSH WITH THE INSIDE WALLS.
 2. CONTRACTOR IS RESPONSIBLE FOR PROVIDING ALL PIPING, INCLUDING PIPES BETWEEN VAULTS.



PANEL LEGEND

- (A) FILTER ELEV. -0.66
MEDIA = COCONUT FIBER
- (B) FILTER ELEV. -0.16
MEDIA = X-TEX FABRIC
- (C) FILTER ELEV. 0.34
MEDIA = X-TEX FABRIC
- (D) FILTER ELEV. 0.84
MEDIA = ORGANICALLY MODIFIED ZEOLITE



LEGEND

- (1) EXPANDED ALUMINUM BASKET W/ 1/4" MESH LINING, 1'-6" H x 1'-6" L x 4'-0" W
- (3) 2ND INTERNAL BAFFLE W/ 1" HOLES DRILLED AT 1 1/4" O.C., 4'-0" H.
- (4) SPILL PROTECTION RESERVOIR 4'-0" H. WITH A 1'-8" FRONT CUT.
- (5) MEDIA FILTER ARRAY IN ALUMINUM FRAMES, NOMINALLY 2'-0" BY 2'-6", TWO PANELS PER LEVEL.
- (6) 1/4" ALUMINUM PLATE, 9" H., 11" WIDE.

CRYSTALSTREAM "CRYSTALCOMPLETE" HYBRID POLISHER
 MODEL "640HP"

hybrid 640HP 01/15/2009 p.a.d.s. Protected by U.S. Patent No's: 6,797,161; 6,936,163; 6,939,461; 6,951,607; 6,994,783; 7,011,743; 7,037,436

SPECIFICATIONS

- 1. TOTAL FLOW CAPACITY SHALL BE 6 CFS.
- 2. WATER QUALITY FLOW OF 0.36 CFS MUST BE TREATED WITH A HYDRAULIC LOADING RATE OF 11.5 GPM/SF OR LESS.
- 3. SPILL PROTECTION CAPACITY SHALL BE 485 GALLONS BEFORE OVERFLOW.
- 4. ANY CHANGES OR SUBSTITUTIONS MUST BE APPROVED BY THE ENGINEER AND THE REVIEWING AUTHORITY.

SAMPLE Drawing
 640HP (Hybrid Polisher)

Device No.: CST-1
 GA0-000-000000

DESIGN FIRM: CRYSTALSTREAM TECHNOLOGIES



CrystalStream Technologies

THIS DRAWING IS COPYRIGHTED AND IS THE SOLE PROPERTY OF PRACTICAL BEST MANAGEMENT, INC. IT IS PROVIDED FOR THE EXCLUSIVE USE OF THE PROFESSIONAL ENGINEER NAMED HEREON. DESIGN IS BASED ON AND RELIES UPON DATA PROVIDED BY THE ENGINEER NAMED HEREON.