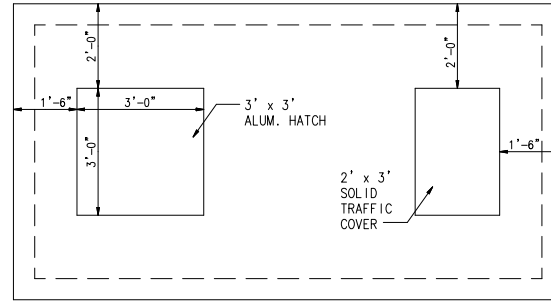
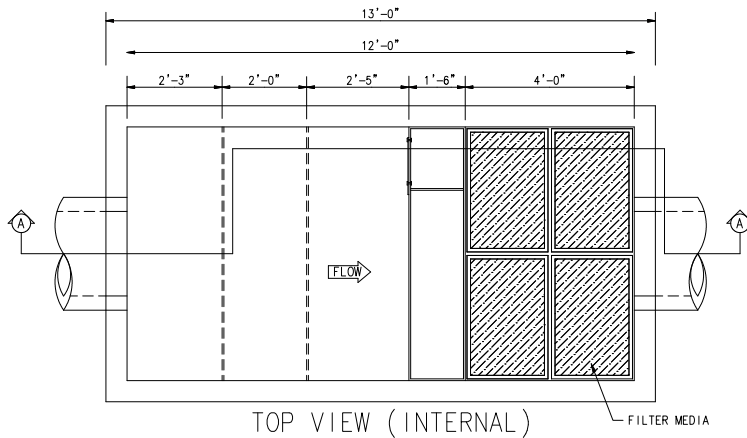


1. ALL PIPES SHALL BE CONSTRUCTED TO BE FLUSH WITH THE INSIDE WALLS.  
 2. CONTRACTOR IS RESPONSIBLE FOR PROVIDING ALL PIPING, INCLUDING PIPES BETWEEN VAULTS.



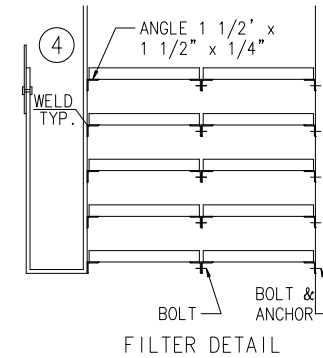
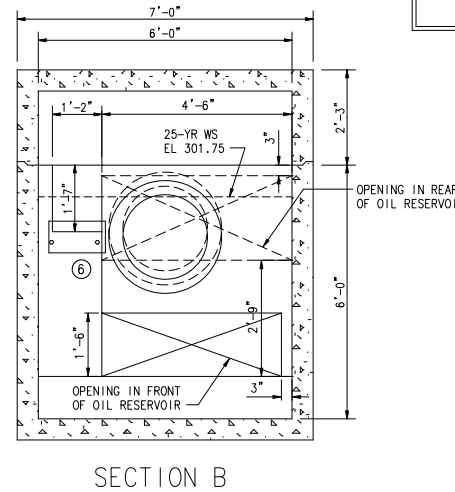
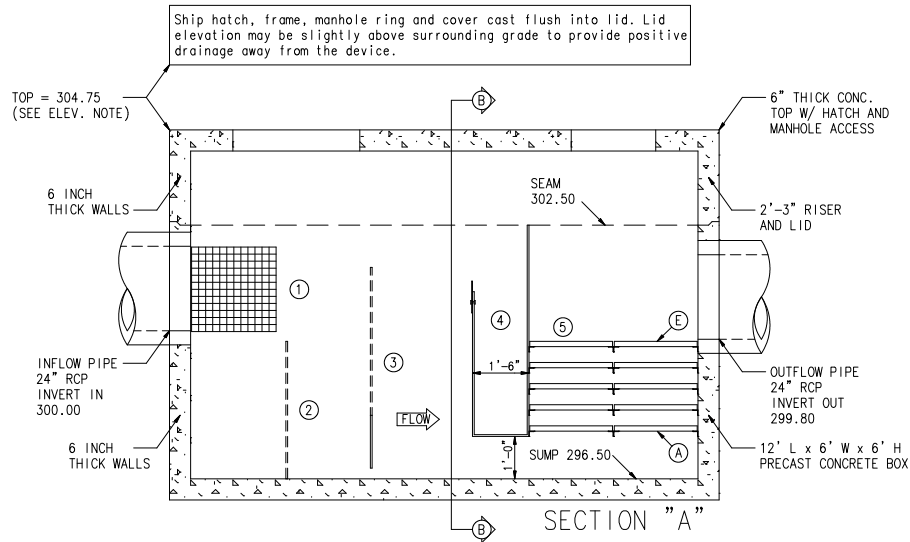
PANEL LEGEND

- (A) FILTER ELEV. 81.00  
MEDIA = COCONUT FIBER
- (B) FILTER ELEV. 81.00  
MEDIA = COCONUT FIBER
- (C) FILTER ELEV. 81.50  
MEDIA = X-TEX FABRIC
- (D) FILTER ELEV. 81.50  
MEDIA = X-TEX FABRIC
- (E) FILTER ELEV. 82.00  
MEDIA = ORGANICALLY MODIFIED ZEOLITE



CrystalStream Technologies

THIS DRAWING IS COPYRIGHTED AND IS THE SOLE PROPERTY OF PRACTICAL BEST MANAGEMENT, INC. IT IS PROVIDED FOR THE EXCLUSIVE USE OF THE PROFESSIONAL ENGINEER NAMED HEREON. DESIGN IS BASED ON AND RELIES UPON DATA PROVIDED BY THE ENGINEER NAMED HEREON.



LEGEND

- (1) EXPANDED ALUMINUM BASKET W/ 1/4" MESH LINING, 2'-0" H x 2'-0" L x 6'-0" W
- (2) 1ST INTERNAL BAFFLE W/ 1" HOLES DRILLED AT 1-1/4" O.C., 3'-3" H.
- (3) 2ND INTERNAL BAFFLE W/ 1" HOLES DRILLED AT 1 1/4" O.C., 5'-0" H.
- (4) SPILL PROTECTION RESERVOIR 4'-6" H. WITH A 1'-7" FRONT CUT.
- (5) FIVE SETS OF FOUR FRAMES FOR FILTER MEDIA. EACH FRAME MEASURES 22 3/4" BY 34 3/4" AND IS MADE OF WELDED 1 1/4" X 1 1/4" X 1/8" ALUMINUM ANGLES WITH AN EXPANDED ALUMINUM METAL BACKER TO SUPPORT THE FILTER MEDIA.
- (6) 1/4" ALUMINUM PLATE, 9" H., 1'-2" WIDE.

CRYSTALSTREAM "CRYSTALPURE" WATER QUALITY VAULT  
 MODEL "1260HP"

Protected by U.S. Patent No's: 6,797,161; 6,936,163; 6,939,461; 6,951,607; 6,994,783; 7,011,743; 7,037,436  
 Specifications  
 cs-sample 1260hp 6/23/2009 p.a.d.s.

- 1. TOTAL FLOW CAPACITY SHALL BE 24 CFS.
- 2. WATER QUALITY FLOW OF 2.68 CFS MUST BE TREATED WITH A HYDRAULIC LOADING RATE OF 17 GPM/SF OR LESS.
- 3. SPILL PROTECTION CAPACITY SHALL BE 1,139 GALLONS BEFORE OVERFLOW.
- 4. ANY CHANGES OR SUBSTITUTIONS MUST BE APPROVED BY THE ENGINEER AND THE REVIEWING AUTHORITY.

Sample 1260HP

DESIGN FIRM: Engineer's Name